

DRAWING NO : J 160

BCV KAILA AT

UPDATED : 22/09/2009

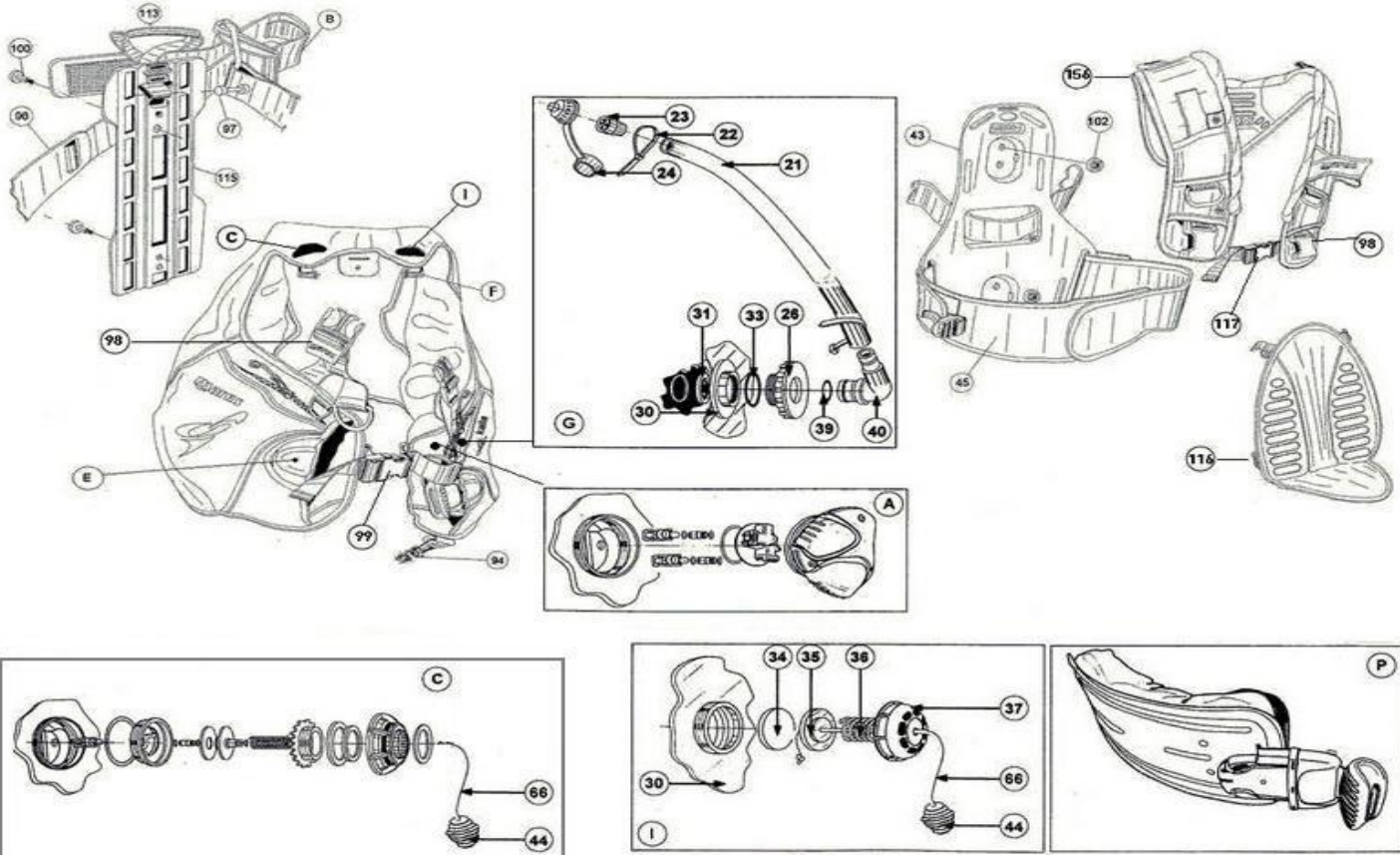


CHART NO : 278

BCV KAILA AT

UPDATED : 22/12/2008

REF	CODE	DESCRIPTION	e	REF	CODE	DESCRIPTION	e
4	47159681	INT HOSE, LP INFLATOR		97	47159293	SCREW, TANK BAND	
21	x x x	LP INTERNAL PIPE 10x14 cm50		98	47158567	BUCKLE DR 40 F DWSR	
22	45179863	HOSE CLAMP 3.6 x 200		98	47158568	BUCKLE SR M MARES	
23	46200016	VALVE HALKEY ROBERTS 730 ROA		99	47158563	BUCKLE SR 50 F	
24	46200017	DUST CAP, VALVE Halkey Robert		99	47158562	BUCKLE SR 50 M	
26	x x x	FLANGE FOR SWIVEL ELBOW H.U.B.		100	47158522	SCREW M 6 x 20	
30	N.D.	BLADDER (Tg XS - L)		102	47159748	FLANGED NUT M6	
31	47158708	RETAINING RING DIN 471 D. 18		113	47159609	HANDLE, BACK PACK	
33	47110271	O-Ring 3100		115	47159160	COUNTER BACK PACK	
34	47159125	SEAL, OVERPRESSURE VALVE		116	47200791	KIT BACK PACK COVER	
35	47159054	SEAT DISC, OVERPRESSURE VALVE		117	47158570	BUCKLE DR25 F	
36	47159150	SPRING, RAPID EXHAUST VALVE		117	47158570	BUCKLE DR25 M	
37	47159056	CAP, O P VALVE		156	47200891	SHOULDER HARNESS KAILA SMALL	
39	46110210	O-RING 2056		156	47200892	SHOULDER HARNESS KAILA BIG	
40	x x x	SWIVELLING ELBOW					
43	47200219	BACK PACK		<b>ASSEMBLED</b>			
44	47159136	PULL KNOB R.E.VALVE BC. VEST BLACK		A	---	AIRTRIM CONTROL ASSEMBLY	
45	47200893	WAIST BAND Kaila XXS		B	47159295	TANK BAND ASSEMBLY - SINGLE TANK	
45	47200894	WAIST BAND Kaila XS		C	-----	AIR DUMP VALVE ASSY	
45	47200895	WAIST BAND Kaila S		E	47200925	PLATE/BUCKLE KIT MRS PLUS	
45	47200896	WAIST BAND Kaila M		F	47159302	LL 25 BLACK ACETALIC	
45	47200897	WAIST BAND Kaila L		G	47200376	Oral Inflator cpl (21-22-23-26-31-33-39-40)	
66	43169822	LINE, BLACK, DIAM. 1,75		I	47159058	RAPID EXHAUST KIT ( 34-35-36-37-42-66 )	
94	415157	HOSE RETAINER CLIP ASSEMBLY		P	417954	Kit Mrs Plus big (M-L-XL)	
96	47159311	RUBBER EXTRUSION, TANK BAND		P	417955	Kit Mrs Plus small (XS-S)	